

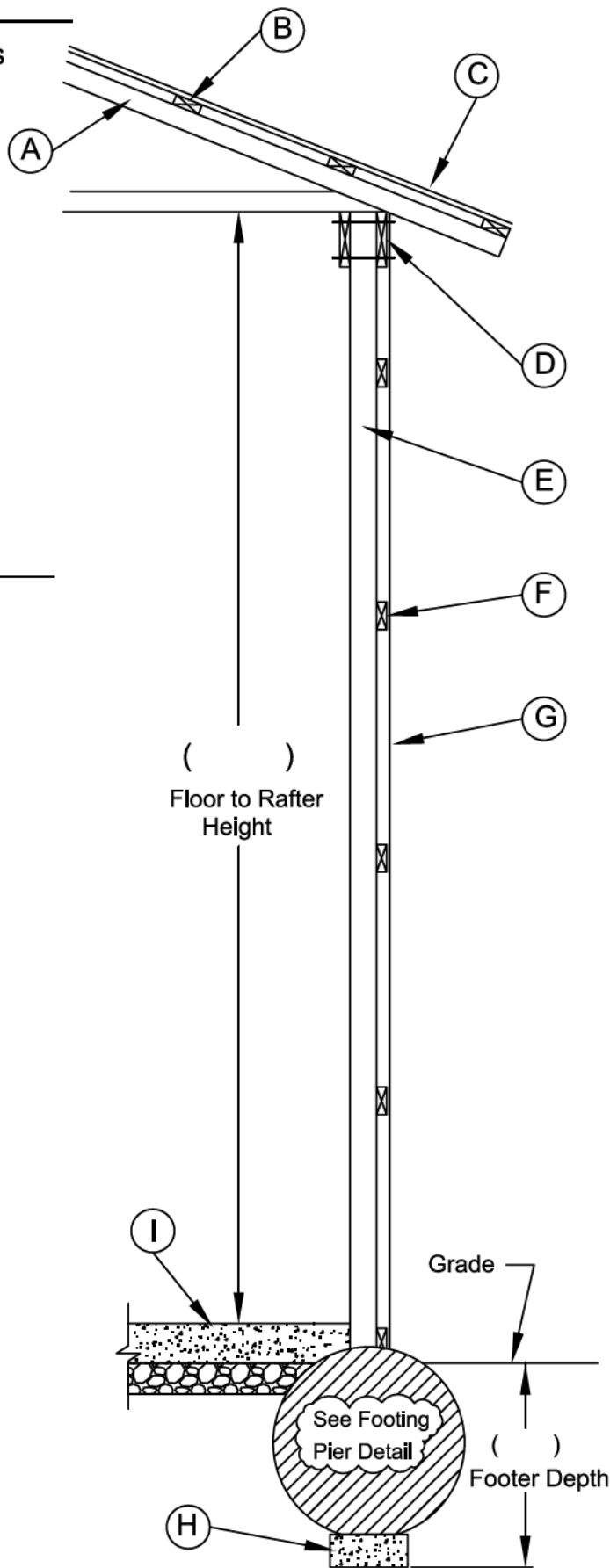
Pole Building Cross Section Submittal

- 1. Building Size: Length _____ x Width _____

- 2. Draw Floorplan: Show All Post & Beam Locations

(circle one)

- (A) RAFTERS or TRUSSES
Type: _____ Pitch: _____
Span: _____ Spacing: _____
- (B) ROOF SHEATHING
Type: _____ Thickness: _____
Spacing: _____
- (C) ROOF COVERING
Type: _____
- (D) HEADER / CARRIER BEAM
Type: _____ Size: _____
Span: _____ Fastening Method: _____
- (E) POSTS
Type: _____ Size: _____
Spacing: _____
- (F) WALL SHEATHING
Type: _____ Spacing: _____
- (G) WALL COVERING
Type: _____
- (H) FOOTER
Width _____ x Length _____ x Thickness _____
- (I) FLOOR
Type: _____ Thickness: _____



FOOTING PIERS (Suggested Methods)

- Circle Method Used -

